

E-Series 24VDC

20 to 96W Class 2 Voltage LED Driver

Installation Guide

BEFORE YOU BEGIN



General

This driver is to be installed in accordance with Article 450 of the National Electric Code (NEC). The driver must be installed in a well-ventilated area free from explosive gases and vapors. Proper operation requires for free flow of air. Since this driver is hardwired, it should only be installed by a qualified electrician.

Precautions Before Installation

Check the label and ensure the driver has the proper input voltage and wattage for the job. Check the wire markings to ensure they match the wiring diagram (below).

Mounting

Select a suitable location capable of supporting the weight of the driver. Use the two key holes in the wire housing and third hold on the flange when mounting. It is recommended that the driver be mounted vertically with the wiring compartment pointing down.

Input Connections / Grounding

With power turned off, route the input wires through the knockout and connect black (line) to driver black wire and white (neutral) to driver white wire. Use only UL listed wire nuts and connectors of suitable size and type. Connect the ground wire to the driver's green wire.

Quick Specs

Input Voltage	120VAC
Output Voltage	24VDC
Operating Temperature	-20°C to -70°C (-4°F to 158°F)
Enclosure	NEMA 3R - Outdoor Use
Dimensions (Inches)	6.77" x 2.67" x 1.26"
Weight	17 oz.

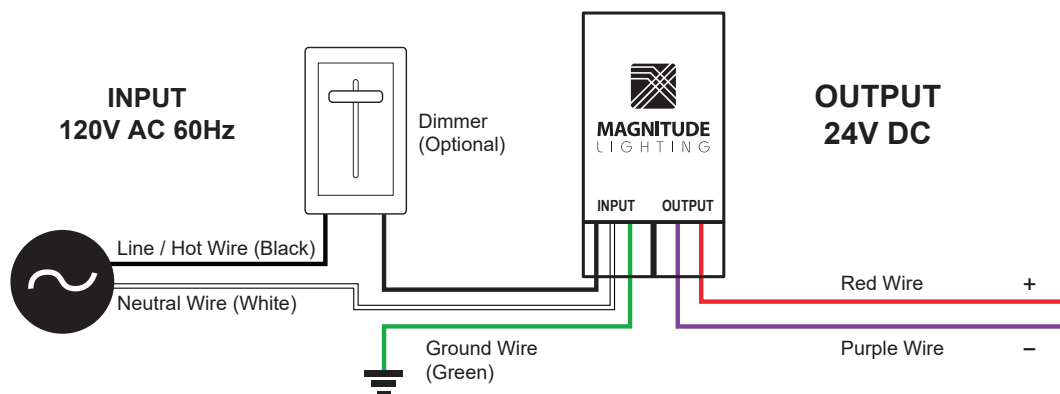
Output Connections

Connect the LED wires to the driver wires; positive (+) to the red wire and negative (-) to purple wire.

Dimming

Dimmable with any standard MLV / Incandescent TRIAC (Leading Edge) dimmer switch. Dimmer switch is to be installed on the Input (120VAC side) of the driver.

WIRING DIAGRAM



IMPORTANT

Measuring the output voltage without a load will result in readings greater than the nominal voltage. 8W minimum load required.

Do not install with PWM low voltage controllers.